

INVENTIVE

Roof ventilation solutions

RTV-LPP | Low Profile Plain Roof Tile Vent

Plain roof tile vent to enable ventilation directly into a roof space or connect to a ducted ventilation system

Uses

- On roofs with Plain roof tiles
- Enables ventilation directly into a roof space
- Can also be connected to a ducted ventilation system inside the building

Features and Benefits

- Suitable for roofs with a minimum pitch of 35°
- Free ventilation area of 6,100mm²
- Sized to replace 2 plain tiles to provide a continuous visual appearance along the roof when viewed at all levels
- Shaped to manage rainwater back down onto the roof and away from the vent opening via the three drainage channels
- Internal grille to keep out large insects, vermin and debris
- UV stabilised for continuous exposure to sunlight
- Lightweight and easy to handle

Relevant Standards

- BS EN 490:2011 Concrete roofing tiles and fittings for roof covering and wall cladding - product specifications (+A1:2017)
- BS 5250: 2021 Management of moisture in buildings – Code of practice
- BS 5534:2014 Slating and tiling for pitched roofs and vertical cladding – code of practice (+A2:2018)
- Manufactured to BS EN ISO 9001:2015 and BS EN ISO 14001:2015
- Complies with all relevant sections of the Building Regulations 2010
- Satisfies all relevant NHBC requirements

Compatibility

Plain tiles from all major manufacturers including:

- Redland Rosemary
- Marley Plain
- Russell Traditional Plain
- Sandtoft Humber Plain

Material and Colour Choice

- Top - UV stabilised coloured injection moulded Polypropylene with textured finish
- Available in Terracotta, Brown, Grey and Red
- Base – Black injection moulded Polypropylene

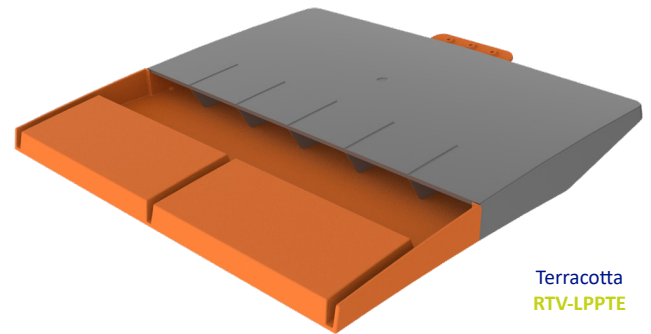
Accessories

- Full datasheets available for all accessories
- 110mm Flexi-Pipe (RTV-KIT1) to aid connection to ventilation duct or soil vent pipe
- Plain adapter (RTV-ADP) to attach the roof tile vent to 110mm ductwork
- Multi adapter (RTV-ADMULTI) to aid connected to 100/110/125/150mm duct sizes
- RTV-ADP and RTV-KIT1 available as one kit (RTV-KIT3)

Product Codes

Product Description	Colour	Weight	Box Quantity	Product Code	Pack Quantity	Pack Code
Low Profile Plain Roof Tile Vent	Terracotta	0.7kg	1	RTV-LPPTE	14	RTVMULTI-LPPTE
Low Profile Plain Roof Tile Vent	Brown	0.7kg	1	RTV-LPPBR	14	RTVMULTI-LPPBR
Low Profile Plain Roof Tile Vent	Grey	0.7kg	1	RTV-LPPGR	14	RTVMULTI-LPPGR
Low Profile Plain Roof Tile Vent	Red	0.7kg	1	RTV-LPPRD	14	RTVMULTI-LPPRD

NB. RTV-LPP available in single, pack or pallet quantities. For pack quantities, 14 tile vent assemblies are packaged in one large box.



Terracotta
RTV-LPPTE



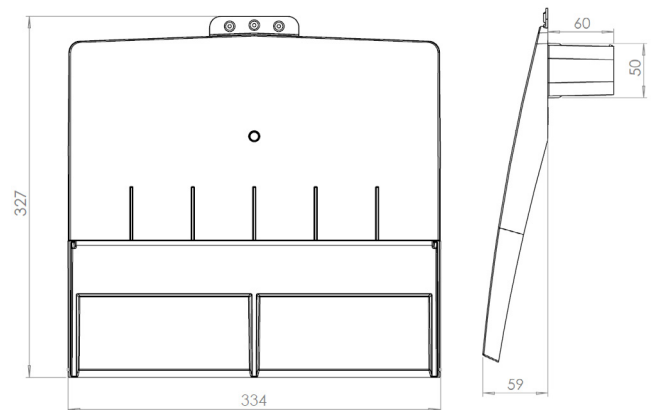
Terracotta
RTV-LPPTE

Brown
RTV-LPPBR

Grey
RTV-LPPGR

Red
RTV-LPPRD

Product Dimensions



Top Profile

Side Profile

Airflow Test Data

RTV-LPP (100mm duct)	
Flow Rate l/s	Static pressure difference Pa
3	1
10	9
18	26
25	51



Plain Adapter
RTV-ADP



Multi Adapter
RTV-ADMULTI



110mm Flexi-Pipe
RTV-KIT1